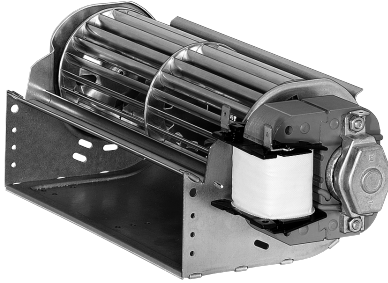


QLN65/1200-3015

# AC tangential blower

forward-curved



## ebm-papst Landshut GmbH

Hofmark-Aich-Straße 25

D-84030 Landshut

Phone +49 (0) 871 707-0

Fax +49 (0) 871 707-465

info3@de.ebmpapst.com

www.ebmpapst.com

## Nominal data

| Type                     | QLN65/1200-3015   |       |
|--------------------------|-------------------|-------|
| Phase                    |                   | 1~    |
| Nominal voltage          | VAC               | 230   |
| Frequency                | Hz                | 50    |
| Speed                    | min <sup>-1</sup> | 1300  |
| Power consumption        | W                 | 14    |
| Current draw             | A                 | 0.135 |
| Min. ambient temperature | °C                | 0     |
| Max. ambient temperature | °C                | 60    |
| Air flow                 | m <sup>3</sup> /h | 83    |
| Pressure increase        | Pa                | 50    |

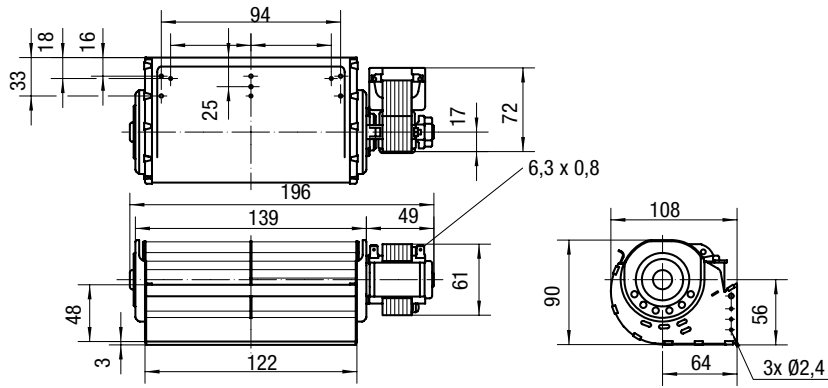
ml = Max. load · me = Max. efficiency · fa = Free air · cs = Customer specification · ce = Customer equipment  
Subject to change



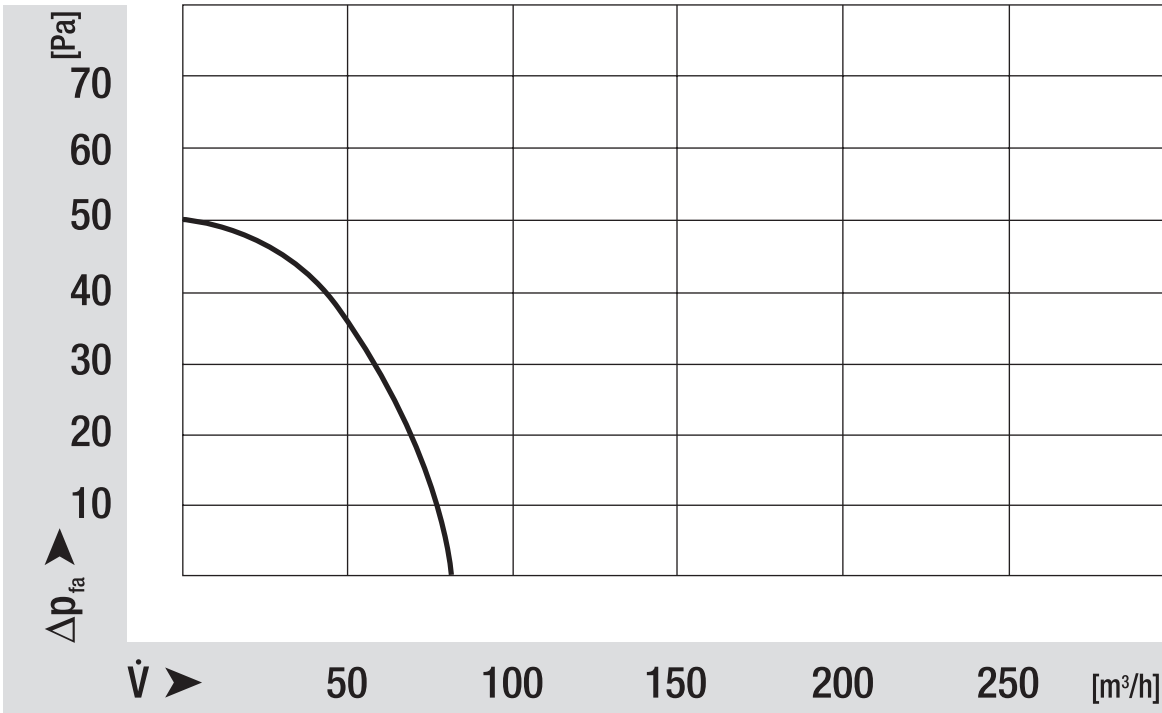
**Technical description**

|                              |                                             |
|------------------------------|---------------------------------------------|
| <b>Weight</b>                | 0.90 kg                                     |
| <b>Dimensions</b>            | 65 mm                                       |
| <b>Insulation class</b>      | B<br>on request also F or H                 |
| <b>Installation position</b> | Horizontal or vertical with motor on bottom |
| <b>Cable</b>                 | Flat plug 6.3 x 0.8                         |

## Product drawing



## Curves: Air performance



Curves: Speed

